

PRODUCT CHANGE NOTICE

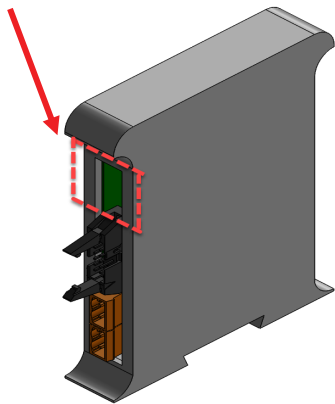


Effective Date: (for new orders)....10/27/2022

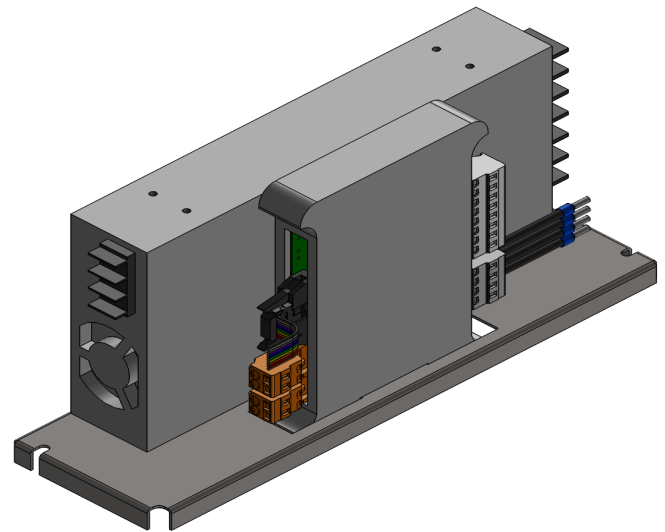
PRODUCTS INVOLVED WITH THE CHANGE

PART NUMBER	DESCRIPTION	STATUS UPDATE
1102612	InfraView Board <i>(with AS-I)</i>	Legacy
1231469	InfraView Board	New
1102607	PM400 Controller Assembly <i>(with AS-I)</i>	Legacy
1231512	PM400 Controller Assembly	New
1102657	PSC InfraView Controller	No Change
1128571	PM400 Connector and Cable Package	No Change

REMOVED ASI CIRCUIT
CONNECTORS



InfraView Board



PM400 Controller Assembly

KEY UPDATES

- For new integration packages, the AS-I circuit was removed from the InfraView Board, which is a component of the PM400 Controller Assembly. The AS-I circuit was a feature that allowed for network communication with fewer wiring connections.

SERVICING EXISTING PRODUCT

- If you are buying InfraView Boards or PM400 Controller Assemblies to service existing equipment, they will not have the AS-I circuit functionality unless you specify that an AS-I capable unit is needed.
- Machines using Extol's PSC Controller Assemblies are not affected because these controllers only use discrete I/O.
- The PM400 Connector and Cable Package is only offered for existing machines. This package will still include the (2) AS-I connectors, regardless of whether or not you are using the AS-I feature.